

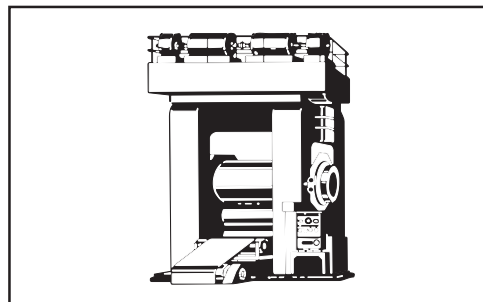
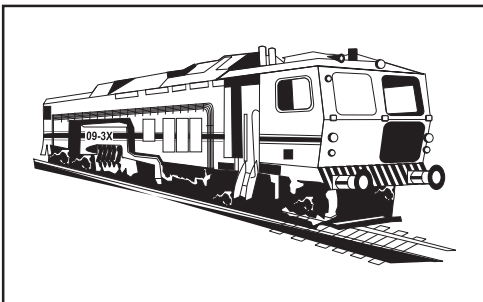
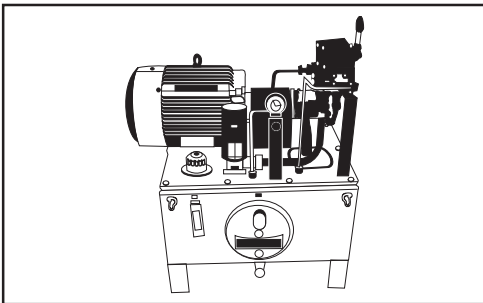
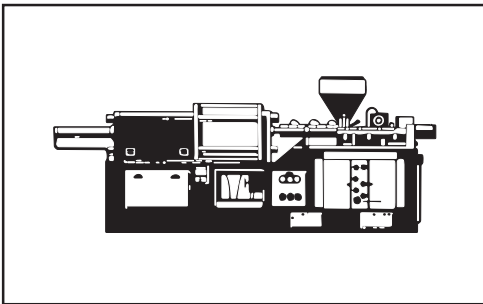


VELJAN

Service Information

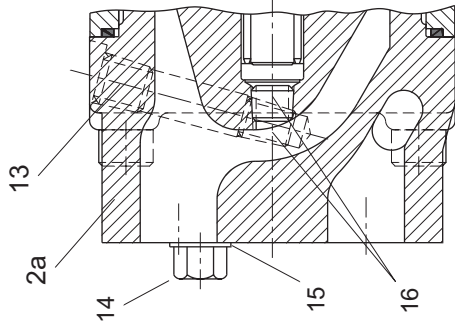
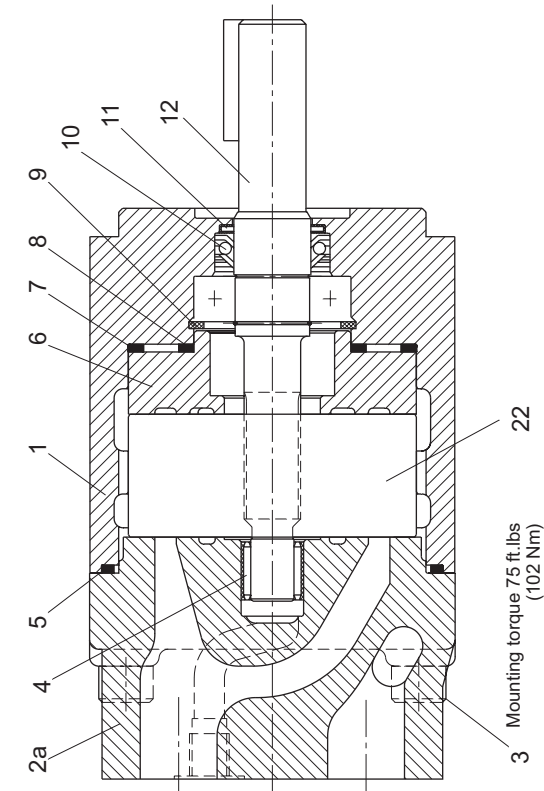
SS4 - 00114

VM4C - VM4C1
VM4SC - VM4SC1
Single vane motor

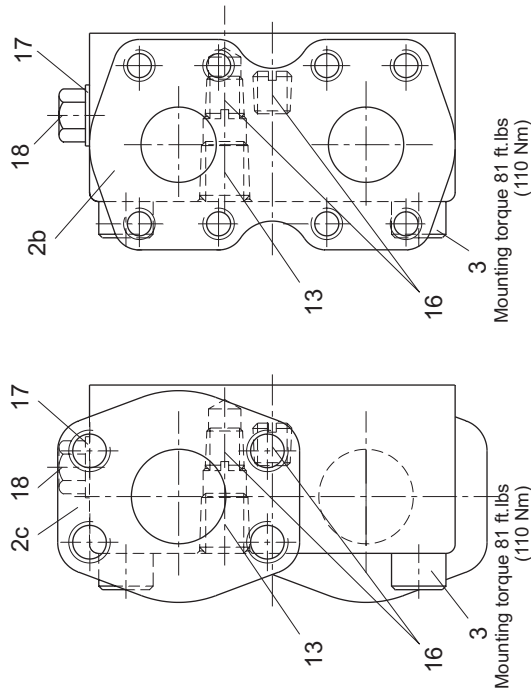


Bold printed are recommended repair kits and assemblies

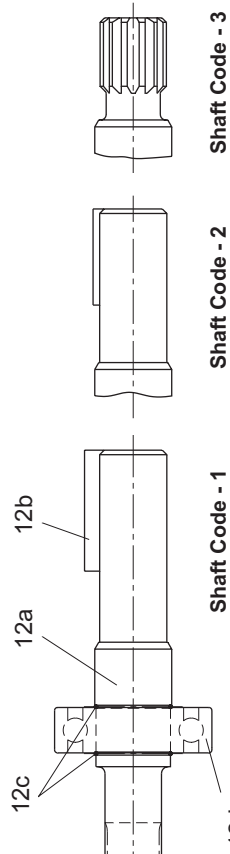
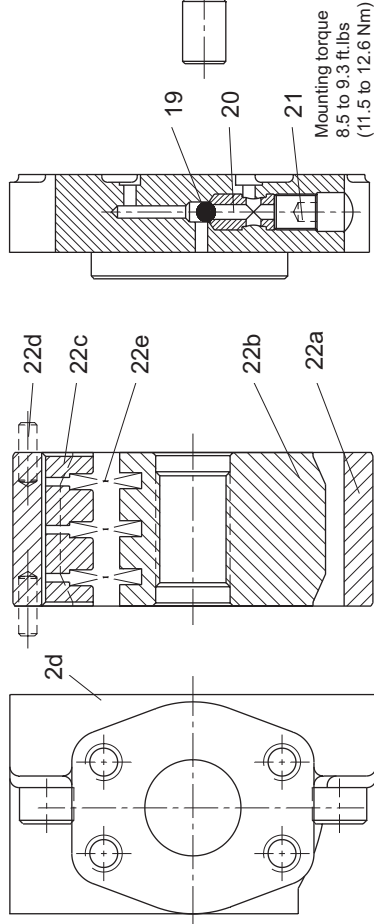
REAR PORTED



OPPOSITE PORTED (offset) SIDE PORTED



OPPOSITE PORTED (inline)



Item pos.	Description	Part No.		
		VM4C	VM4SC	Qty
1	Housing (Standard SAE-B 2 bolt mounting)	VM4C1	VM4C1Q	1
	Housing (SAE-C 4 bolt mounting, code-Q)	VM4SC	VM4SC1	
	Housing (SAE-C 4 bolt mounting, code-Q)	VM4CQ	VM4C1Q	
2a	End cap rear ported (SAE 4 bolt conn., SAE drain)	VM4SCQ	VM4SC1Q	1
	End cap rear ported (SAE 4 bolt conn., BSP drain)	V034-49802	V034-49805	
	End cap rear ported (SAE 4 bolt conn., SAE drain)	C-034-03076	V034-66211	
2b	End cap side ported (SAE 4 bolt conn., SAE drain)	VM4C	VM4C1Q	1
	End cap side ported (SAE 4 bolt conn., BSP drain)	VM4SC	VM4SC1	
	End cap side ported (SAE str. thd. conn., SAE drain)	VM4CQ	VM4C1Q	
2c	End cap opp. ported (off set) (SAE 4 bolt conn., SAE drain)	VM4C	VM4C1Q	1
	End cap opp. ported (off set) (SAE 4 bolt conn., SAE drain)	VM4SC	VM4SC1	
	End cap opp. ported (off set) (SAE 4 bolt conn., SAE drain)	VM4CQ	VM4C1Q	

2d	End cap opp. ported (in line) (SAE 4 bolt conn., SAE drain)	C-034-03043	1
3	Screw (rear ported & opp. ported in line)	V358-20240	4
	Screw (side ported & opp. ported offset)	V358-20330	
4	Needle bearing	V230-82008	1
5	Sq. section seal (Standard)	V691-10242	1
	Sq. section seal (Severe duty)	V695-10242	
6	Port plate - pressure	V034-53342	1
7	Sq. section seal (Standard)	V691-10238	1
	Sq. section seal (Severe duty)	V695-10238	
8	Sq. section seal (Standard)	V691-10226	1
	Sq. section seal (Severe duty)	V695-10226	
9	Retaining ring	V356-30206	1
10	Shaft seal	V637-00004	1
11	Felt wiper	V034-49975	1
12	Shaft and bearing assy (# 1)	VS14-27026	1
	Shaft and bearing assy (# 2)	VS14-41575	
	Shaft and bearing assy (# 3)	VS14-44482	
12a	Shaft (keyed) (code 1)	V034-71074	1
	Shaft (keyed) (code 2)	V034-71144	
	Shaft (splined) (code 3)	V034-71809	
12b	Key (code 1)	V034-48690	1
	Key (code 2)	V034-49622	
12c	Round section ring	V034-70777	2
12d	Ball bearing	V230-03205	1
13	Plug	V431-90600	1
14	Plug	V446-01004-2	1
15	Copper seal	V612-00001-3	1
16	Check valve	VS14-01257	2
17	Copper seal	V635-01006-2	1
18	Plug	V446-01006-2	1
19	Ball	V201-06001	1
20	Adaptor valve	V034-53346	1
21	Screw	V312-35056	1
22	Cartridge Kit 024 (Standard)	VS14-45081	1
	Cartridge Kit 024 (Severe duty)	VS14-45082	
	Cartridge Kit 031 (Standard)	VS14-27027	
	Cartridge Kit 031 (Severe duty)	VS14-27031	
	Cartridge Kit 043 (Standard)	VS14-27028	
	Cartridge Kit 043 (Severe duty)	VS14-27032	
	Cartridge Kit 055 (Standard)	VS14-27029	
	Cartridge Kit 055 (Severe duty)	VS14-27033	

	Cartridge Kit 067 (Standard)	VS14-27030	VS14-27030	VS14-27030
	Cartridge Kit 067 (Severe duty)	VS14-27034	VS14-27034	VS14-27034
	Cartridge Kit 075 (Standard)	VS14-41505	VS14-41505	VS14-41505
	Cartridge Kit 075 (Severe duty)	VS24-10890	VS24-10890	VS24-10890
22a	Cam ring 024 (Standard)	V034-71871	V034-71871	1
	Cam ring 024 (Severe duty)	V034-71884	V034-71884	
	Cam ring 031 (Standard)	V034-48641	V034-48641	
	Cam ring 031 (Severe duty)	V034-49857	V034-49857	
	Cam ring 043 (Standard)	V034-48642	V034-48642	
	Cam ring 043 (Severe duty)	V034-49856	V034-49856	
	Cam ring 055 (Standard)	V034-48643	V034-48643	
	Cam ring 055 (Severe duty)	V034-49855	V034-49855	
	Cam ring 067 (Standard)	V034-46809	V034-46809	
	Cam ring 067 (Severe duty)	V034-49854	V034-49854	
	Cam ring 075 (Standard)	V034-71126	V034-71126	
	Cam ring 075 (Severe duty)	V034-59834	V034-59834	
22b	Rotor	V034-49976	V034-49976	1
22c	Vane	V034-49977	V034-49977	10
22d	Dowel pin	V324-21210	V324-21210	2
22e	Vane spring	V034-49978	V034-49978	30
5,7	Seal kit (Standard) S-1	S14-29879	S14-29879	1
8,10	Seal kit (Severe duty) S-5	S14-29879-5	S14-29879-5	
6,19	Port plate - pressure assembly	S14-29880	S14-29880	1
20,21				
2a,4	End cap assy rear ported (SAE 4 bolt conn., SAE drain)	S14-27035	S14-27035	1
	End cap assy rear ported (SAE 4 bolt conn., BSP drain)	S14-83314	S14-83886	
	End cap assy rear ported (SAE thd. conn., SAE drain)	S14-27036	S14-27038	
2b,4	End cap assy side ported (SAE 4 bolt conn., SAE drain)	S14-41576	S14-41578	1
	End cap assy side ported (SAE 4 bolt conn., BSP drain)	S14-83315	S14-93377	
	End cap assy side ported (SAE thd. conn., SAE drain)	S14-41577	S14-41579	
2c,4	End cap assy opp. ports offset (SAE 4 bolt conn., SAE drain)	S14-43439	S14-43439	1

MODEL CODE

VM4 * C * * - 043 - 1 N 00 - A 1 01 **

Series _____
 * S = Severe duty motor _____
 * 1 = internal drain (omit for external drain) _____
 * Q = 4 bolt SAE- C mounting _____
 (omit for standard SAE-B 2 bolt mounting)

Cam ring _____ Torque _____
 in.lbf/psi (Nm/bar)

024	=	0.24	(0.40)
031	=	0.33	(0.56)
043	=	0.45	(0.74)
055	=	0.57	(0.94)
067	=	0.69	(1.13)
075	=	0.78	(1.27)

Type of Shaft _____

- 1 = Keyed (SAE B)
- 2 = Keyed (no SAE)
- 3 = Splined (SAE- B)

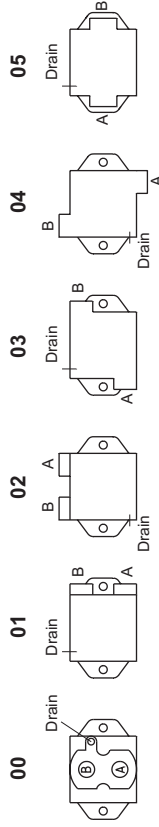
N = bi-directional

View from shaft end

CW rotation A = inlet CCW rotation A = outlet
 B = outlet B = inlet

Modification _____
 Port connections _____
01 = SAE threaded port
 SAE drain
02 = SAE 4 bolt flange
 UNC threaded - SAE drain
04 = SAE 4 bolt flange
 UNC threaded - BSPP drain
M4 = SAE 4 bolt flange
 metric threaded - BSPP drain
 Seal class _____
1 = S1 (Standard)
5 = S5 (Severe duty)
 Design letter _____

Porting combination : (00 = Standard)



Rear port

Side ports

Opposite ports
(offset)

Opposite ports
(in line)
(Not for internal
drain motor)