



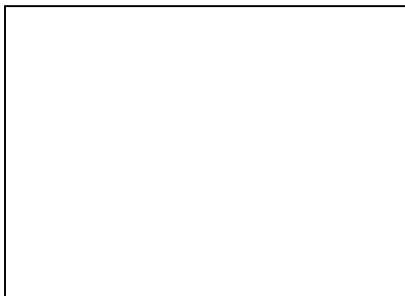
**VELJAN**

**Service Information**

**SS4 - 00144**

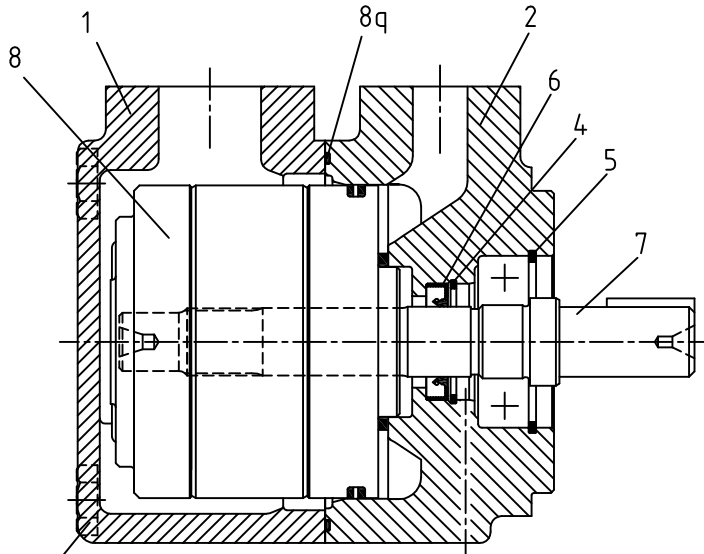
# **VTXB1-VTXB2**

## **Single vane pump**

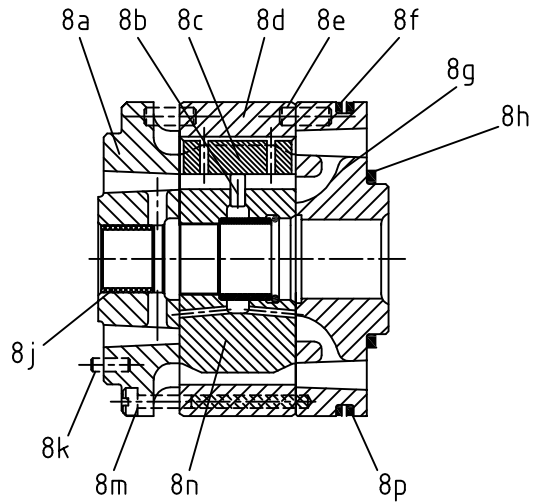


**PHOTO**

**Bold printed are recommended repair kits and assemblies**



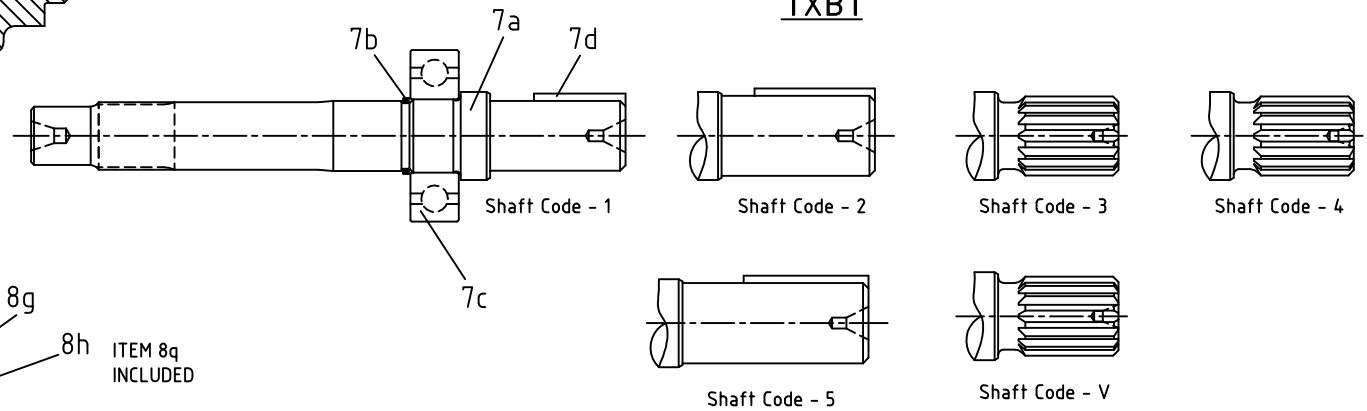
3 Mounting torque : 95 ft. lbs  
(130 Nm)



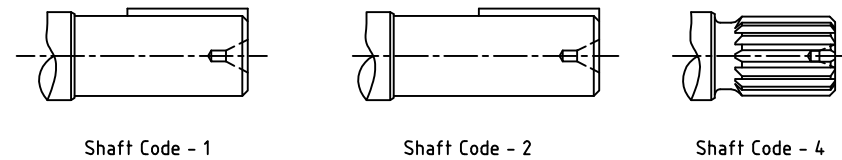
ITEM 8q  
INCLUDED

Item pos.	Description	Part No.		Qty
		VTXB1	VTXB2	
1	Housing (Metric) (Code-MX)	C-034-03459	C-034-03459	1
	Housing SAE 20 1-5/8 12 UNF-2B (Code-00)	C-034-03460	C-034-03460	
	Housing 1 1/4" (UNC) (Code-01)	C-034-03461	C-034-03461	
	Housing 1 1/4" (Metric) (Code-M0)	C-034-03462	C-034-03462	
	Housing 1 1/4" (BSP) (Code-02)	C-034-03463	C-034-03463	
	Housing 1 1/4" (NPTF) (Code-03&0X)	C-034-03464	C-034-03464	
2	Mounting flange (Metric) (Code-MX)	C-034-03465	C-034-03472	1
	Mounting flange 1 1/16"(UNF) (Code-00&03)	C-034-03466	C-034-03473	
	Mounting flange (UNC) (Code-01)	C-034-03467	C-034-03474	
	Mounting flange (Metric) (Code-M0)	C-034-03468	C-034-03475	
	Mounting flange 3/4" (BSP) (Code-02)	C-034-03469	C-034-03476	
	Mounting flange 3/4" (NPTF) (Code-0X)	C-034-03470	C-034-03477	

**TXB1**



**TXB2**



Item pos.	Description	Part No.		Qty
		VTXB1	VTXB2	
3	Mounting Screw	C-314001215	C-314001215	4
4	Retaining ring	V356-30125	V356-30125	1
5	Retaining ring	V356-30185	V356-30185	1
6	Shaft seal (S1-0.7 bar)	V622-10004	V622-10004	1
	Shaft seal (S4-S5-7 bar)	V622-00011-3	V622-00011-3	
7	Shaft and bearing ass'y (#1) (TXB1-TXB2)	C-S14-72378	C-S14-72430	1
	Shaft and bearing ass'y (#2) (TXB1-TXB2)	C-S14-72379	C-S14-72431	
	Shaft and bearing ass'y (#3) (TXB1)	C-S14-72466		
	Shaft and bearing ass'y (#4) (TXB1-TXB2)	C-S14-72380	C-S14-72432	
	Shaft and bearing ass'y (#5) (TXB1)	C-S14-72429		
	Shaft and bearing ass'y (#V) (TXB1)	C-S14-72465		
7a	Shaft (Keyed) (Code-1) (TXB1-TXB2)	C-034-03452	C-034-03480	1
	Shaft (Keyed) (Code-2) (TXB1-TXB2)	C-034-03453	C-034-03481	
	Shaft (splined, 9 teeth) (Code-3) (TXB1)	C-034-03507		
	Shaft (splined, 13 teeth) (Code-4) (TXB1-TXB2)	C-034-03454	C-034-03482	
	Shaft (Keyed) (Code-5) (TXB1)	C-034-03478		
	Shaft (splined, 11 teeth) (Code-V) (TXB1)	C-034-03508		
7b	Retaining ring	V356-65060	V356-65060	1
7c	Ball bearing	V230-82149	V230-82149	1
7d	Key (Code -1) (TXB1-TXB2)	C-034-03494	C-034-03483	1
	Key (Code -2) (TXB1-TXB2)	C-034-03479	C-034-03484	
	Key (Code -5) (TXB1)	C-034-03499		
	Cartridge assembly B02 CW	C-S14-72364	C-S14-72364	1
	Cartridge assembly B02 CCW	C-S14-72365	C-S14-72365	
	Cartridge assembly B03 CW	C-S14-72366	C-S14-72366	
	Cartridge assembly B03 CCW	C-S14-72367	C-S14-72367	
	Cartridge assembly B04 CW	C-S14-72368	C-S14-72368	
	Cartridge assembly B04 CCW	C-S14-72369	C-S14-72369	
	Cartridge assembly B05 CW	C-S14-72433	C-S14-72433	
	Cartridge assembly B05 CCW	C-S14-72434	C-S14-72434	
	Cartridge assembly B06 CW	C-S14-72370	C-S14-72370	
	Cartridge assembly B06 CCW	C-S14-72371	C-S14-72371	
	Cartridge assembly B07 CW	C-S14-72435	C-S14-72435	
	Cartridge assembly B07 CCW	C-S14-72443	C-S14-72443	
	Cartridge assembly B08 CW	C-S14-72372	C-S14-72372	
	Cartridge assembly B08 CCW	C-S14-72373	C-S14-72373	
	Cartridge assembly B09 CW	C-S14-72374	C-S14-72374	

Item pos.	Description	Part No.		Qty
		VTXB1	VTXB2	
	Cartridge assembly B09 CCW	C-S14-72375	C-S14-72375	
	Cartridge assembly B10 CW	C-S14-72444	C-S14-72444	
	Cartridge assembly B10 CCW	C-S14-72445	C-S14-72445	
	Cartridge assembly B11 CW	C-S14-72446	C-S14-72446	
	Cartridge assembly B11 CCW	C-S14-72447	C-S14-72447	
	Cartridge assembly B12 CW	C-S14-72376	C-S14-72376	
	Cartridge assembly B12 CCW	C-S14-72377	C-S14-72377	
	Cartridge assembly B14 CW	C-S14-72419	C-S14-72419	
	Cartridge assembly B14 CCW	C-S14-72420	C-S14-72420	
8a	Port plate - rear (Bi-dir)	C-034-03456	C-034-03456	1
8b	Pin vane holdout	H-034-66920	H-034-66920	12
8c	Vane	C-034-03457	C-034-03457	12
8d	Cam ring - 002	C-034-03486	C-034-03486	1
	Cam ring - 003	C-034-03487	C-034-03487	
	Cam ring - 004	C-034-03488	C-034-03488	
	Cam ring - 005	C-034-03497	C-034-03497	
	Cam ring - 006	C-034-03489	C-034-03489	
	Cam ring - 007	C-034-03498	C-034-03498	
	Cam ring - 008	C-034-03490	C-034-03490	
	Cam ring - 009	C-034-03491	C-034-03491	
	Cam ring - 010	C-034-03500	C-034-03500	
	Cam ring - 011	C-034-03501	C-034-03501	
	Cam ring - 012	C-034-03492	C-034-03492	
	Cam ring - 014	C-034-03426	C-034-03426	
8e	Dowel pin	V324-21210	V324-21210	2
8f	Back-up ring	C-618-00005	C-618-00005	1
8g	Port plate - pressure (Bi-dir)	C-034-03455	C-034-03455	1
8h	Sq. section seal	V691-10223	V691-10223	1
8j	Bush	V034-71867	V034-71867	1
8k	Drive lock pin	V323-82020	V323-82020	1
8m	Screw	V317-06246	V317-06246	2
8n	Rotor-insert ass'y	C-S14-72387	C-S14-72387	1
8p	Sq. section seal	V691-10235	V691-10235	1
8q	O' ring	V691-00045	V691-00045	1
6, 8f,	Seal kit (S1-0.7 bar)	C-S14-01068	C-S14-01068	1
8h,8p,	Seal kit (S4-7 bar)	C-S14-01069	C-S14-01069	
8q,	Seal kit (S5-7 bar)	C-S14-01070	C-S14-01070	
8a,8j, 8k	Port plate - rear and bush ass'y	C-S14-72381	C-S14-72381	1

# MODEL CODE

VTXB 1 - B09 - 1 R 00 - D 1 02 \*

Series \_\_\_\_\_

Mounting \_\_\_\_\_

1 - SAE A

2 - SAE B

Cam ring — Displacement—Cam ring—Displacement—

cm<sup>3</sup>/rev (in<sup>3</sup>/rev) cm<sup>3</sup>/rev (in<sup>3</sup>/rev)

B02 = 5.8 (0.35) B08 = 24.9 (1.52)

B03 = 9.8 (0.60) B09 = 28.0 (1.71)

B04 = 12.8 (0.78) B10 = 31.8 (1.94)

B05 = 15.9 (0.97) B11 = 34.9 (2.13)

B06 = 19.8 (1.21) B12 = 41.0 (2.50)

B07 = 22.5 (1.37) B14 = 45.0 (2.75)

Type of Shaft \_\_\_\_\_

TXB1

1 - Keyed (Non SAE)

5 - Keyed

TXB2

1 - Keyed (Non SAE)

2 - Keyed

V - Splined (11 teeth)

2 - Keyed

3 - Splined (9 teeth)

4 - Splined (13 teeth)

4 - Splined (13 teeth)

Direction of rotation (view on shaft end) \_\_\_\_\_

R - clockwise

L - counter-clockwise

Porting combination \_\_\_\_\_

00 - standard



S- Suction port P- Pressure port

To change porting position, follow the steps below:

Secure pump and remove 4 bolts from housing. Move the housing 1 to 2 mm away from mounting flange. Insert Two bolt halfway to housing. Install a Wrench between the Two bolts and turn in the desired way, so that the required position of pressure port with respect to suction is obtained. Reinstall the bolts and tighten to corresponding torque.

Instruction : Do not remove housing completely from the mounting flange but only just 1 to 2 mm to avoid the cartridge pin to move out from the housing dowel pin hole. make sure no piece of paint enters in to the gap to avoid leakage.

If it is difficult to turn housing put some hydraulic oil to the pressure port to lubricate the pressure port seals.

Modifications

Port connections

CODE	S	P
00	SAE 20 1" 5/8 12 UNF-2B	SAE 12 1" 1/16 12 UNF-2B
01	1" 1/4 SAE 4 bolt (UNC)	3/4" SAE 4 bolt (UNC)
M0	1" 1/4 SAE 4 bolt (METRIC)	3/4" SAE 4 bolt (METRIC)
02	1" 1/4 BSP	3/4" BSP
03	1" 1/4 NPTF	SAE 12 1" 1/16 12 UNF-2B
0X	1" 1/4 NPTF	3/4" NPTF
MX	∅28 SAE 4 bolt (METRIC)	∅15 SAE 4 bolt (METRIC)

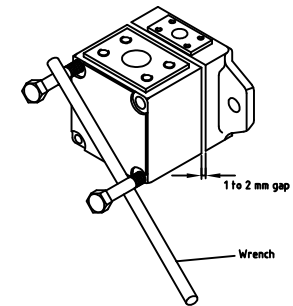
Seal class

1 - S1 (for mineral oil)

4 - S4 (for fire resistant fluids)

5 - S5 (for mineral oil and fire resistant fluids)

Design letter



Veljan Hydrair Pvt. Limited , Balanagar , Hyderabad - 500 037 , INDIA . Phone : ++91 40 3772794,95 FAX : ++91 40 3773963 , E-mail : info@veljan.com

Rights of alteration reserved

Print	---
Replace	---
Revision	---

Printed in India