



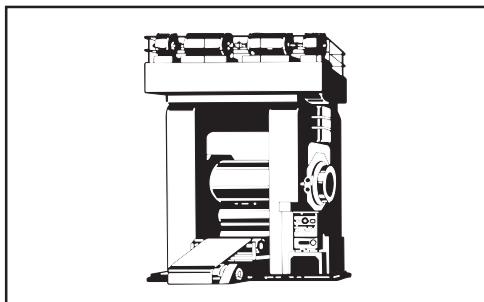
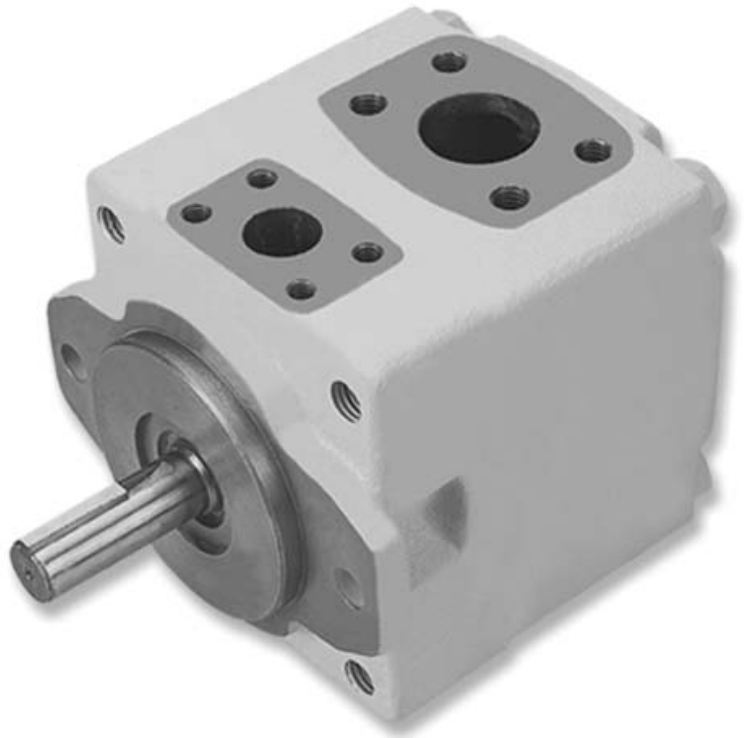
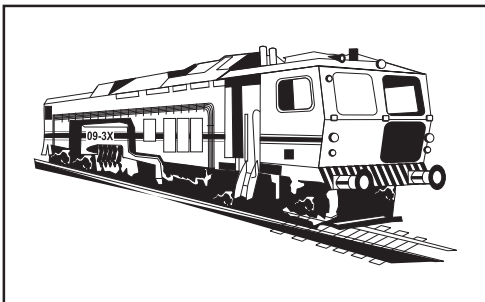
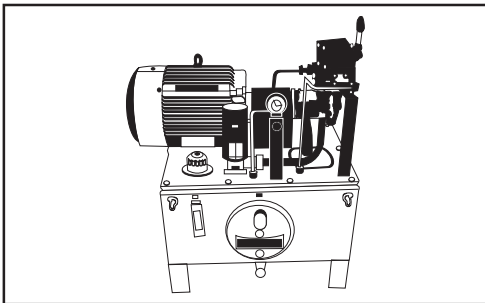
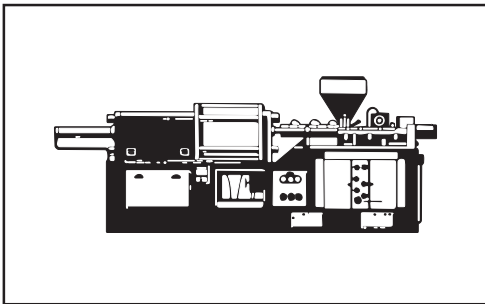
VELJAN

Service Information

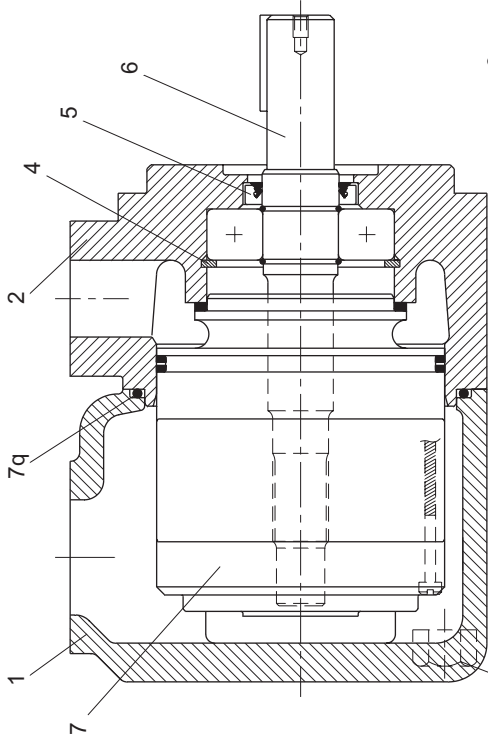
SS4 - 00116

VT7QC

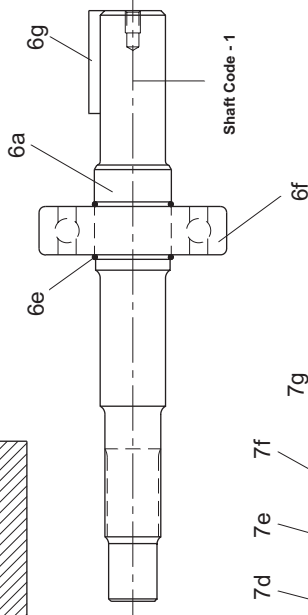
Single vane pump



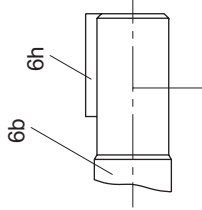
Bold printed are recommended repair kits and assemblies



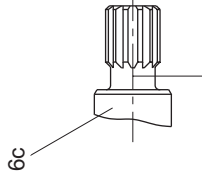
Mounting torque : 133 ft. lbs
(180 Nm)



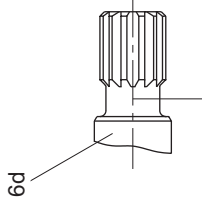
Shaft Code - 1



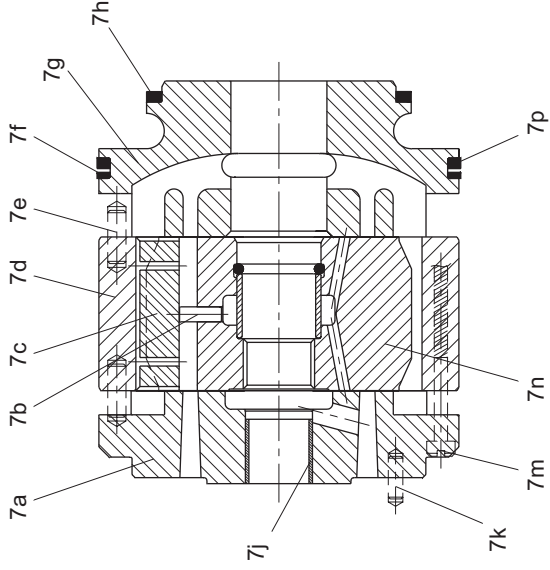
Shaft Code - 2



Shaft Code - 3



Shaft Code - 4



Item pos.	Description	Part No.				Qty
		VT7QC - 0** (Standard)	VT7QC - B** (BI-dir plates)	VT7QC - Y**		
1	Housing (UNC) Standard	VH-034-66871	VH-034-66871	VH-034-66871	1	
	Housing (Metric)	VH-034-66869	VH-034-66869	VH-034-66869		
2	Mounting flange (UNC) (VT7QC1) Mounting flange (Metric) (VT7QC1) Mounting flange (UNC) (VT7QC2) Mounting flange (Metric) (VT7QC2)	VH-034-66872	VH-034-66872	VH-034-66872	1	
		VH-034-66870	VH-034-66870	VH-034-66870		
		VC-034-03216	VC-034-03216	VC-034-03216		
		VC-034-03217	VC-034-03217	VC-034-03217		
3	Mounting Screw	VC-314011622	VC-314011622	VC-314011622	4	
4	Retaining ring	V356-30244	V356-30244	V356-30244	1	

5	Shaft seal (S1-0.7 bar)	V620-82012	V620-82012	V620-82012	1
	Shaft seal (S4-S5-7 bar)	V620-82068	V620-82068	V620-82068	1
6	Shaft and bearing ass'y (Keyed) (Code-1) Shaft and bearing ass'y (Keyed) (Code-2) Shaft and bearing ass'y (Splined) (Code-3) Shaft and bearing ass'y (Splined) (Code-4)	VS14-24570	VS14-24570	VS14-24570	1
		VS14-25645	VS14-25645	VS14-25645	1
		VS14-24569	VS14-24569	VS14-24569	1
		VS24-10430	VS24-10430	VS24-10430	1
6a	Shaft (Keyed) (Code-1)	V034-70814	V034-70814	V034-70814	1
6b	Shaft (Keyed) (Code-2)	V034-70880	V034-70880	V034-70880	1
6c	Shaft (Splined) (Code-3)	V034-70815	V034-70815	V034-70815	1
6d	Shaft (splined) (Code-4)	V034-59426	V034-59426	V034-59426	1
6e	Round section ring	V034-70777	V034-70777	V034-70777	2

Item pos.	Description	Part No.			Qty
		VT7QC - 0** (Standard)	VT7QC - B** (Bi-dir plates)	VT7QC - Y**	
6f	Ball bearing	V230-82054	V230-82054	V230-82054	1
6g	Key (Code -1)	V034-48690	V034-48690	V034-48690	1
6h	Key (Code -2)	V034-49622	V034-49622	V034-49622	1
7	Cartridge assembly *03 C.W.	VC-S14-71982	VC-S14-72008	VC-S14-71872	1
	Cartridge assembly *03 C.C.W.	VC-S14-71983	VC-S14-72009	VC-S14-71873	
	Cartridge assembly *05 C.W.	VC-S14-71984	VC-S14-72010	VC-S14-71874	
	Cartridge assembly *05 C.C.W.	VC-S14-71985	VC-S14-72011	VC-S14-71875	
	Cartridge assembly *06 C.W.	VC-S14-71986	VC-S14-72012	VC-S14-71876	
	Cartridge assembly *06 C.C.W.	VC-S14-71987	VC-S14-72013	VC-S14-71877	
	Cartridge assembly *08 C.W.	VC-S14-71988	VC-S14-72014	VC-S14-71878	
	Cartridge assembly *08 C.C.W.	VC-S14-71989	VC-S14-72015	VC-S14-71879	
	Cartridge assembly *10 C.W.	VC-S14-71990	VC-S14-72016	VC-S14-71880	
	Cartridge assembly *10 C.C.W.	VC-S14-71991	VC-S14-72017	VC-S14-71881	
	Cartridge assembly *12 C.W.	VC-S14-71992	VC-S14-72018	VC-S14-71882	
	Cartridge assembly *12 C.C.W.	VC-S14-71993	VC-S14-72019	VC-S14-71883	
	Cartridge assembly *14 C.W.	VC-S14-71994	VC-S14-72020	VC-S14-71884	
	Cartridge assembly *14 C.C.W.	VC-S14-71995	VC-S14-72021	VC-S14-71885	
	Cartridge assembly *15 C.W.	VC-S14-72036	VC-S14-72038	VC-S14-72034	
	Cartridge assembly *15 C.C.W.	VC-S14-72037	VC-S14-72039	VC-S14-72035	
	Cartridge assembly *17 C.W.	VC-S14-71996	VC-S14-72022	VC-S14-71886	
	Cartridge assembly *17 C.C.W.	VC-S14-71997	VC-S14-72023	VC-S14-71887	
	Cartridge assembly *20 C.W.	VC-S14-71998	VC-S14-72024	VC-S14-71888	
	Cartridge assembly *20 C.C.W.	VC-S14-71999	VC-S14-72025	VC-S14-71889	
	Cartridge assembly *22 C.W.	VC-S14-72000	VC-S14-72026	VC-S14-71890	
	Cartridge assembly *22 C.C.W.	VC-S14-72001	VC-S14-72027	VC-S14-71891	
	Cartridge assembly *25 C.W.	VC-S14-72002	VC-S14-72028	VC-S14-71892	
	Cartridge assembly *25 C.C.W.	VC-S14-72003	VC-S14-72029	VC-S14-71893	
	Cartridge assembly *28 C.W.	VC-S14-72004	VC-S14-72030	VC-S14-71894	
	Cartridge assembly *28 C.C.W.	VC-S14-72005	VC-S14-72031	VC-S14-71895	
	Cartridge assembly *31 C.W.	VC-S14-72006	VC-S14-72032	VC-S14-71896	
	Cartridge assembly *31 C.C.W.	VC-S14-72007	VC-S14-72033	VC-S14-71897	
7a	Port plate - rear C.W.	VC-SK-00480			1
	Port plate - rear C.C.W.	VC-SK-00481			
	Port plate - rear Bi-dir		VC-034-03205	VC-034-03205	
7b	Pin vane holdout	V034-59098	V034-59098	V034-59098	12
7c	Vane	V034-59099	V034-59099	V034-66716	12
7d	Cam ring - 003	V034-59050	V034-59050	V034-59050	1
	Cam ring - 005	V034-59051	V034-59051	V034-59051	
	Cam ring - 006	V034-59052	V034-59052	V034-59052	

Item pos.	Description	Part No.			Qty
		VT7QC - 0** (Standard)	VT7QC - B** (Bi-dir plates)	VT7QC - Y**	
	Cam ring - 008	V034-59053	V034-59053	V034-59053	
	Cam ring - 010	V034-59054	V034-59054	V034-59054	
	Cam ring - 012	V034-66595	V034-66595	V034-66595	
	Cam ring - 014	V034-59206	V034-59206	V034-59206	
	Cam ring - 015	VC-034-66893	VC-034-66893	VC-034-66893	
	Cam ring - 017	V034-59207	V034-59207	V034-59207	
	Cam ring - 020	V034-66607	V034-66607	V034-66607	
	Cam ring - 022	V034-59208	V034-59208	V034-59208	
	Cam ring - 025	V034-59209	V034-59209	V034-59209	
	Cam ring - 028	V034-59245	V034-59245	V034-59245	
	Cam ring - 031	V034-66843	V034-66843	V034-66843	
7e	Dowel pin	V324-21208	V324-21208	V324-21208	2
7f	Back-up ring	V618-15016	V618-15016	V618-15016	1
7g	Port plate - pressure C.W.	VC-SK-00478			1
	Port plate - pressure C.C.W.	VC-SK-00479			
	Port plate - pressure Bi-dir		VC-034-03182	VC-034-03182	
7h	Sq. section seal	V691-10229	V691-10229	V691-10229	1
7i	Bush	V034-71867	V034-71867	V034-71867	1
7k	Dowel pin	V323-82010	V323-82010	V323-82010	1
7m	Screw	V317-06266	V317-06266	V317-06266	2
7n	Rotor-insert ass'y	VC-S14-66875	VC-S14-66875	VC-S14-66875	1
7p	Sq. section seal	V691-10238	V691-10238	V691-10238	1
7q	O' ring	V671-00244	V671-00244	V671-00244	1
5, 7f,	Seal kit (S1 - 0.7 bar)	VS24-10133	VS24-10133	VS24-10133	1
7h, 7p,	Seal kit (S4 - 7 bar)	VS24-10133-4	VS24-10133-4	VS24-10133-4	
7q,	Seal kit (S5 - 7 bar)	VS24-10133-5	VS24-10133-5	VS24-10133-5	
7a	Port plate - rear	VC-S14-66876		C.W.	1
7j	and bush ass'y	VC-S14-66877		C.C.W.	
				Bi-dir	
				VC-S14-66878	

* 0 - Standard

B - Bi-directional plates

Y - Thinner Vane with Bi-directional plates

MODEL CODE

VT7QC 1 - 22 - 1 R 00 - C 1 - 00 -

Series

Mounting

- 1 - SAE B
- 2 - SAE C

Cam ring — Displacement

in ³ /rev (cm ³ /rev)	in ³ /rev (cm ³ /rev)
003/B03/Y03 = 0.66 (10.80)	015/B15/Y15 = 3.08 (50.5)
005/B05/Y05 = 1.05 (17.20)	017/B17/Y17 = 3.56 (58.30)
006/B06/Y06 = 1.30 (21.30)	020/B20/Y20 = 3.89 (63.80)
008/B08/Y08 = 1.61 (26.40)	022/B22/Y22 = 4.29 (70.30)
010/B10/Y10 = 2.08 (34.10)	025/B25/Y25 = 4.84 (79.30)
012/B12/Y12 = 2.26 (37.10)	028/B28/Y28 = 5.42 (88.80)
014/B14/Y14 = 2.81 (46.00)	031/B31/Y31 = 6.10 (100.00)

Cam ring — Displacement

in ³ /rev (cm ³ /rev)	in ³ /rev (cm ³ /rev)
015/B15/Y15 = 3.08 (50.5)	017/B17/Y17 = 3.56 (58.30)
020/B20/Y20 = 3.89 (63.80)	022/B22/Y22 = 4.29 (70.30)
025/B25/Y25 = 4.84 (79.30)	028/B28/Y28 = 5.42 (88.80)
031/B31/Y31 = 6.10 (100.00)	

Select 'B' for Bi-dir plates

Select 'Y' for Thinner vane with Bi-dir plates for cold start.

Type of Shaft

- 1 = Keyed (SAE B)
- 2 = Keyed (no SAE)
- 3 = Splined (SAE B)
- 4 = Splined (SAE B-B)

Modification

Mounting W/connection variables

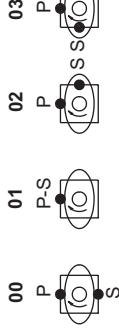
UNC	METRIC
00	M0
01	M1
1"	1"
3/4"	3/4"
S	1 1/2"

Seal class

- 1 = S1 - BUNAN
- 4 = S4 - EPDM
- 5 = S5 - VITON

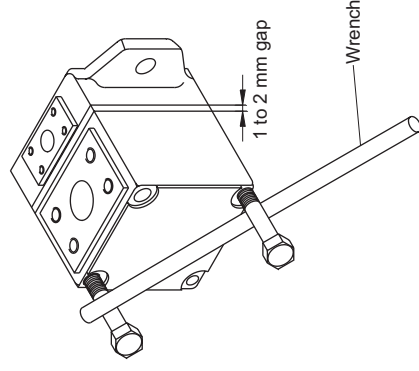
Design letter

Porting combination : (00 = Standard)



Direction of rotation

- R = Clockwise
- L = Counter - clockwise



To change porting position, follow the steps below:

Secure pump and remove 4 bolts from housing. Move the housing 1 to 2 mm away from mounting flange. Insert Two bolt halfway to housing. Install a Wrench between the Two bolts and turn in the desired way, so that the required position of pressure port with respect to suction is obtained. Reinstall the bolts and tighten to corresponding torque.

Instruction : Do not remove housing completely from the mounting flange but only just 1 to 2 mm to avoid the cartridge pin to move out from the housing-dowel pin hole. make sure no piece of paint enters in to the gap to avoid leakage.

If it is difficult to turn housing put some hydraulic oil to the pressure port to lubricate the pressure port seals.

Veljan Hydrair Private Limited, Balanagar, Hyderabad - 500 037, INDIA . Phone : +91-40-23772794,95 Fax : +91-40-23773963, www.veljan.com

Print	VHPL/16/03/1k
Replace	
Revision	
Printed in India	

©All Rights Reserved
Product details are liable to change without prior notice