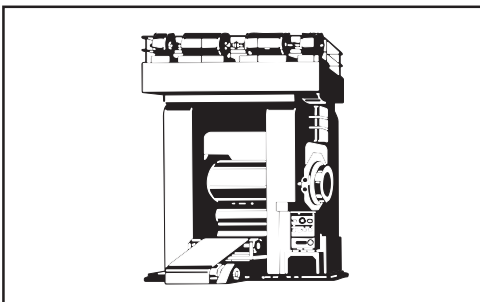
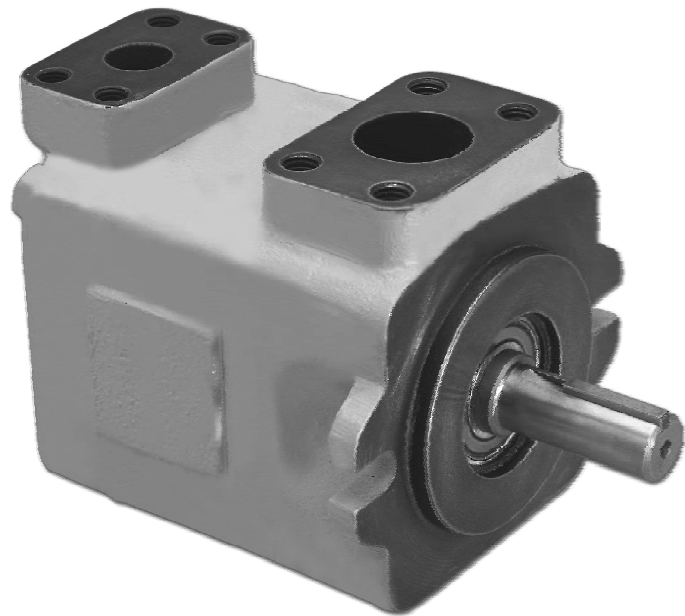
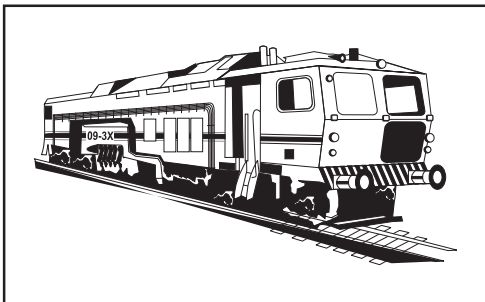
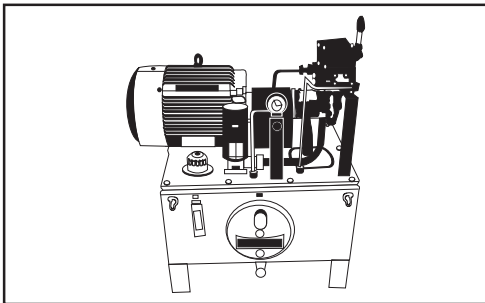
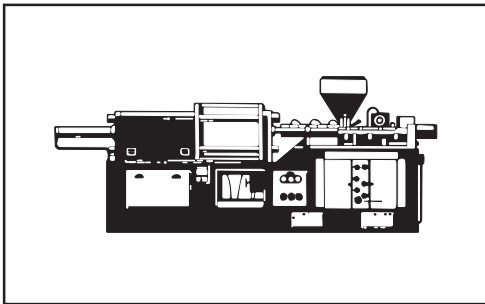


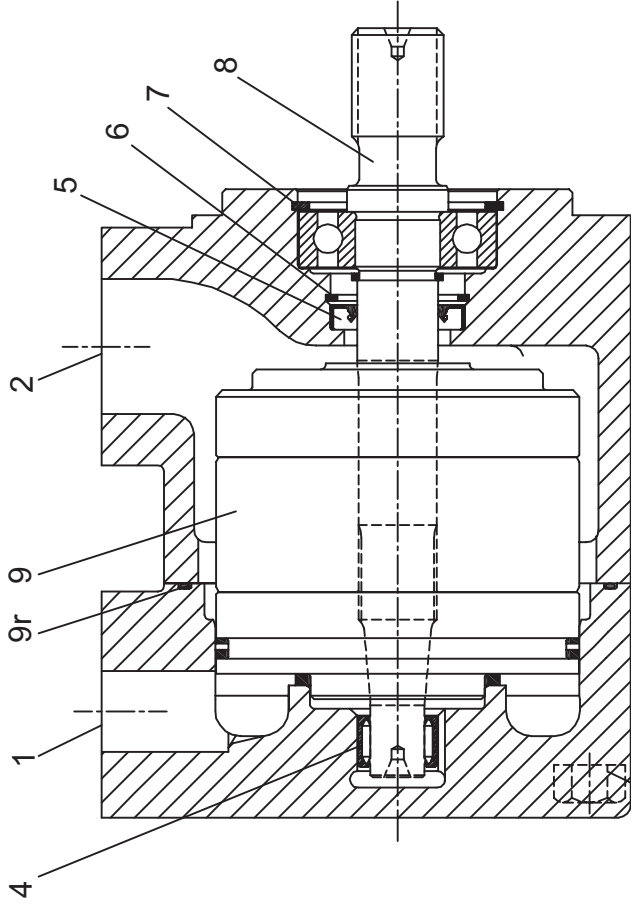


VT6B

Single vane pump

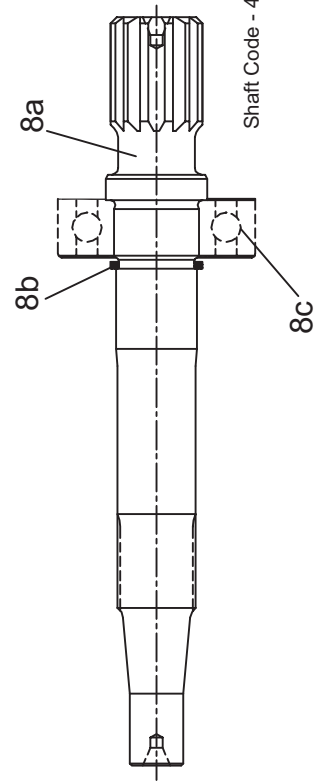
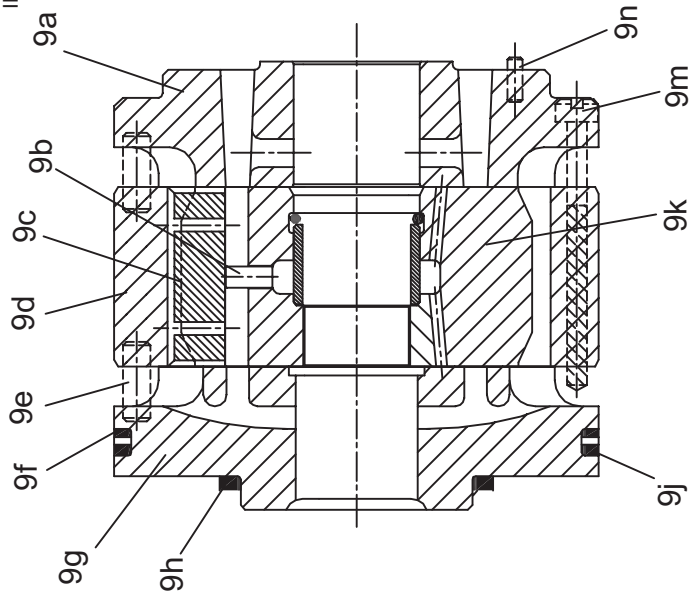


Bold printed are recommended repair kits and assemblies

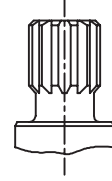


3 Mounting torque - 95 ft. lbs
(130 Nm)

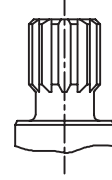
ITEM 9r
INCLUDED



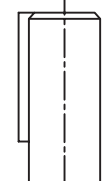
Shaft Code - 4



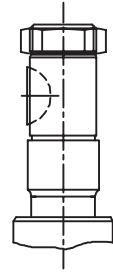
Shaft Code - 3



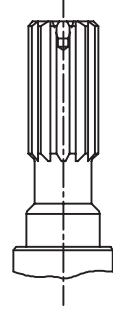
Shaft Code - 5



Shaft Code - 1



Shaft Code - 2



Shaft Code - 11

Item pos.	Description	Part No.	Qty
		VT6B	
1	Housing (SAE 20)	C-034-03313	1
	Housing (SAE 4 bolt UNC)	C-034-03274	
	Housing (SAE 4 bolt METRIC)	C-034-03312	
	Housing (1¼" BSP)	C-034-03309	
	Housing (1¼" NPTF)	C-034-03306	
2	End cap (SAE 12)	C-034-03307	1
	End cap (SAE 4 bolt UNC)	C-034-03277	
	End cap (SAE 4 bolt METRIC)	C-034-03311	
	End cap (¾" BSP)	C-034-03308	
	End cap (¾" NPTF)	C-034-03310	
3	Mounting Screw	C-314011215	4
4	Needle bearing	V230-82036	1
5	Shaft seal (S1-1.5 bar)	V622-10004	1
	Shaft seal (S4-S5-7 bar)	V622-00011-3	
6	Retaining ring	V356-30125	1
7	Retaining ring	V356-30185	1
8	Shaft and bearing ass'y (Keyed) (Code-1)	C-S14-72209	1
	Shaft and bearing ass'y (Keyed) (Code-2)	C-S14-72210	
	Shaft and bearing ass'y (Splined) (Code-3)	C-S14-72211	
	Shaft and bearing ass'y (Splined) (Code-4)	C-S14-72212	
	Shaft and bearing ass'y (Splined) (Code-5)	C-S14-72213	
	Shaft and bearing ass'y (Splined) (Code-11)	C-S14-72214	
8a	Shaft (Keyed) (Code-1)	C-034-03276	1
	Shaft (Keyed) (Code-2)	C-034-03328	
	Shaft (Splined) (Code-3)	C-034-03315	
	Shaft (Splined) (Code-4)	C-034-03275	
	Shaft (Splined) (Code-5)	C-034-03314	
	Shaft (Splined) (Code-11)	C-034-03329	
8b	Retaining ring	V356-65060	1
8c	Ball bearing	V230-82149	1
8d	Key (Code -1)	V034-49622	1
	Key (Code -2)	C-034-03330	
9	Cartridge assembly B02 C.W	C-S14-72162	1
	Cartridge assembly B02 C.C.W	C-S14-72163	
	Cartridge assembly B04 C.W	C-S14-72164	
	Cartridge assembly B04 C.C.W	C-S14-72165	
	Cartridge assembly B06 C.W	C-S14-72166	
	Cartridge assembly B06 C.C.W	C-S14-72167	
	Cartridge assembly B09 C.W	C-S14-72168	
	Cartridge assembly B09 C.C.W	C-S14-72169	
	Cartridge assembly B12 C.W	C-S14-72170	
Cartridge assembly B12 C.C.W	C-S14-72171		
9a	Port plate - rear	C-034-03272	1
9b	Pin vane hold out	C-SK-00427	10
9c	Vane	C-SK-00416	10
9d	Cam ring - B02	V034-72053	1
	Cam ring - B04	C-034-03255	
	Cam ring - B06	C-034-03256	
	Cam ring - B09	C-034-03257	
	Cam ring - B12	C-034-03258	
9e	Dowel pin	V324-21210	2
9f	Back-up ring	C-618-00005	1
9g	port plate pressure	C-034-03271	1
9h	Sq. section seal	V691-10223	1
9j	Sq. section seal	V691-10235	1
9k	Rotor insert ass'y	C-S14-72217	1
9m	screw	V317-06246	2
9n	Dowel pin	V323-82010	1
9r	O'ring	V691-00045	1
9f,9h	Seal kit (S1-1.5 bar)	C-S14-01068.0	1
9j,9r	Seal kit (S4-7 bar)	C-S14-01069.0	1
5	Seal kit (S5-7 bar)	C-S14-01070.0	1
9a,9n	Port plate rear ass'y	C-S14-72215	1

MODEL CODE

VT6B - B09 - 1 R 00 - D 1 - 02 -

Series

Cam ring -- Displacement

in³/rev (cm³/ rev)

B02	=	0.39	(6.5)
B04	=	0.78	(12.8)
B06	=	1.26	(20.7)
B09	=	1.92	(31.5)
B12	=	2.42	(39.7)

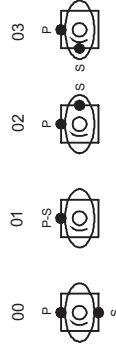
Type of Shaft

- 1 = Keyed (Non SAE)
- 2 = Keyed
- 3 = Splined (SAEA)
- 4 = Splined (SAE B)
- 5 = Splined SAE (11 teeth)
- 11 = Splined

Direction of rotation

- R = Clockwise
- L = Counter - clockwise

Porting combination : (00 = Standard)



To change porting position, follow the steps below:

Secure pump and remove 4 bolts from housing . Move the housing 1 to 2 mm away from mounting flange. Insert Two bolt halfway to housing. Install a Wrench between the Two bolts and turn in the desired way,so that the required position of pressure port with respect to suction is obtained. Reinstall the bolts and tighten to corresponding torque.

Instruction : Do not remove housing completely from the mounting flange but only just 1 to 2 mm to avoid the cartridge pin to move out from the housing dowel pin hole. make sure no piece of paint enters in to the gap to avoid leakage. If it is difficult to turn housing put some hydraulic oil to the pressure port to lubricate the pressure port seals.

Modification

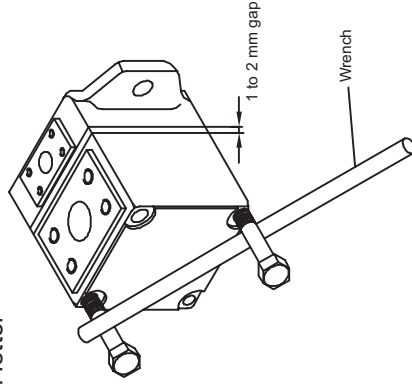
Mounting W/connection variables

CODE	S	P
00	SAE 20 1" 5/8 12 UNF-2B	SAE 12 1" 1/16 12 UNF-2B
01	1" 1/4 SAE 4 bolt (UNC)	3/4" SAE 4 bolt (UNC)
M0	1" 1/4 SAE 4 bolt (METRIC)	3/4" SAE 4 bolt (METRIC)
02	1" 1/4 BSP	3/4" BSP
03	1" 1/4 NPTF	SAE 12 1" 1/16 12 UNF-2B
0X	1" 1/4 NPTF	3/4" NPTF

Seal class

- 1 = S1 - BUNAN
- 4 = S4 - EPDM
- 5 = S5 - VITON

Design letter



Veljan Hydrair Limited , Balanagar , Hyderabad - 500 037 , INDIA . Phone : ++91 40 23772794,95 FAX : ++91 40 23773963 , E-mail : info@veljan.com

Rights of alteration reserved

Print	
Replace	
Revision	

Printed in India