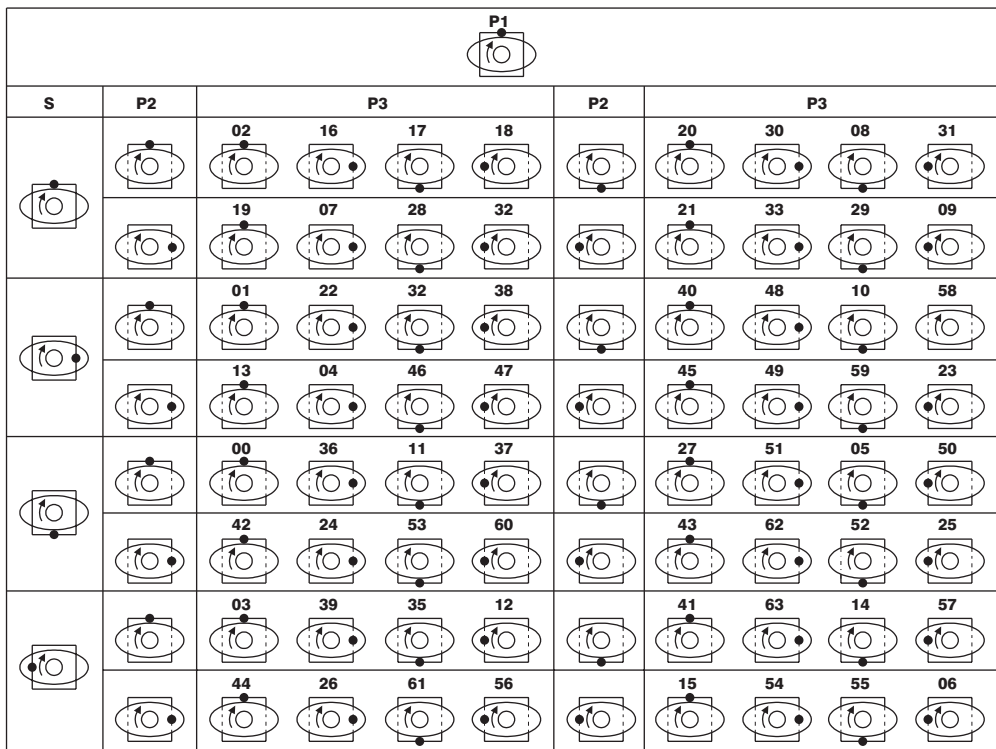


VT6DCCR-VT6EDCR

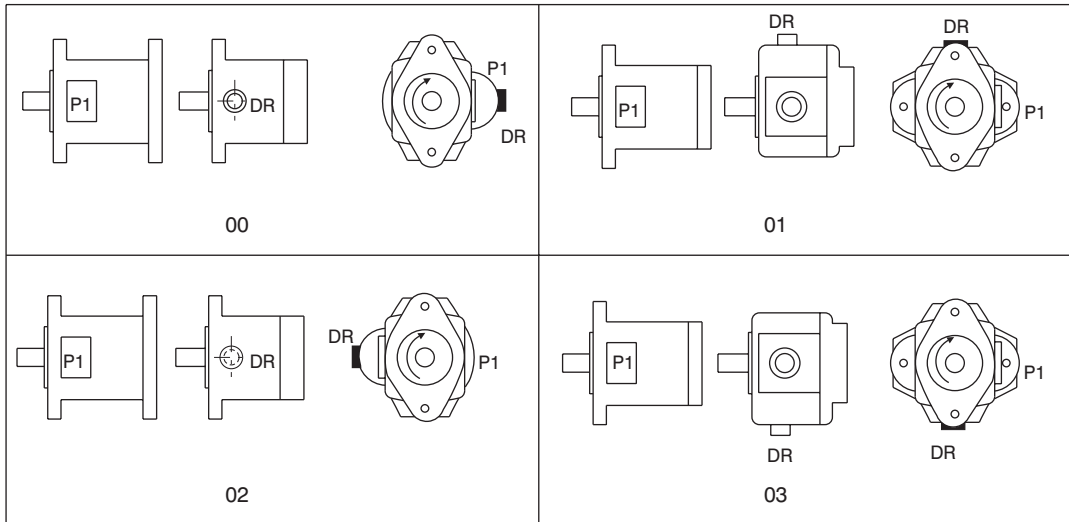


VT6DCCR-VT6EDCR

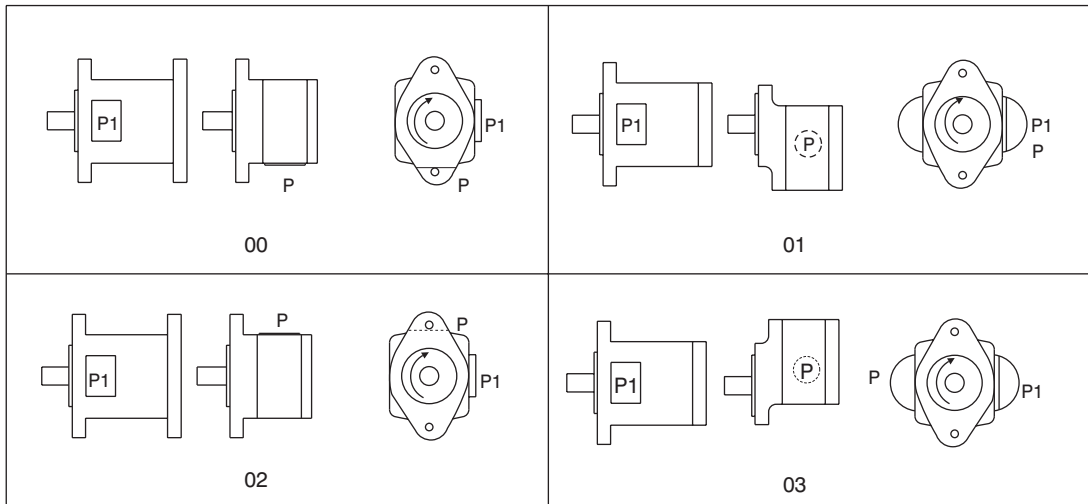


Assembly Porting Definition

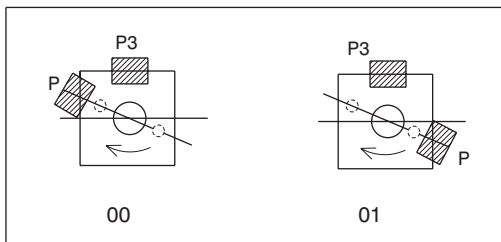
VVP&VVH type - FF for the second pump the reference is the drain port on Piston Pump. (view from front shaft end)



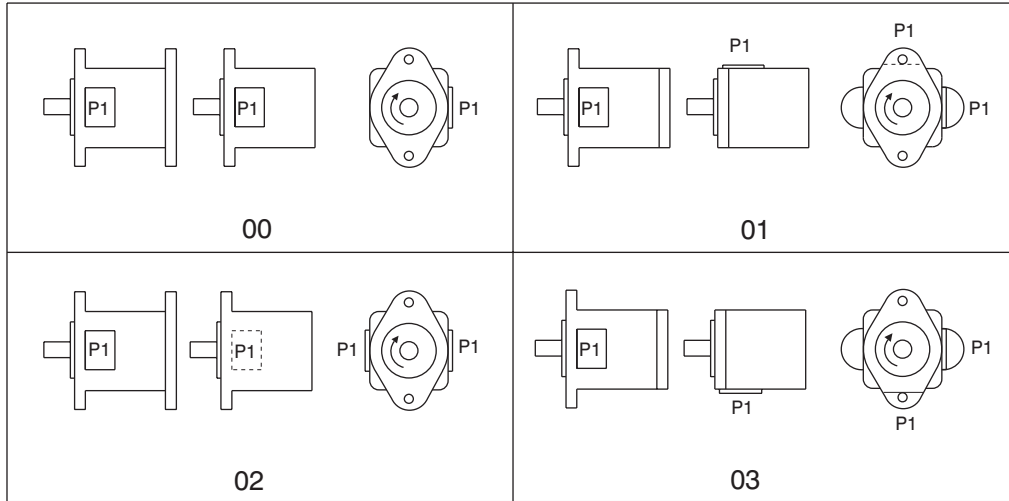
VVG type - Front Single Vane Pump (view from front shaft end.)



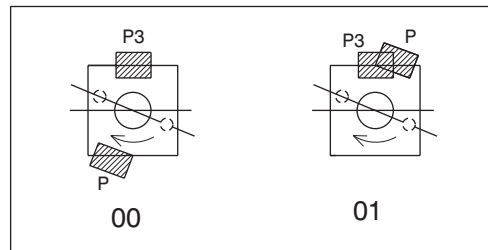
VVG type - Front Single Vane Pump (view from front shaft end.)



VV type - F or Single Vane Pump (view from front shaft end).



VV type - F or Triple Vane Pump (view from front shaft end).



Assembly - Ordering Code

Assembly Tandem	VV- ..
VV = Vane pump + Vane Pump	Porting combination
VVP = Vane pump + Piston Pump (PP)	00
VVG = Vane pump + Gear Pump (GP)	01
VVH = Vane pump + Hybrid Pump (HVP)	02
	03

Assembly Screws

- SAE A rear mounting adaptor : 2 screws M10 x 1,18 (30,0) (Mounting torque = 433,6 in.lbf) = 49 NM
- SAE B rear mounting adaptor : 2 screws M12 x 1,38 (35,0) (Mounting torque = 778,8 in.lbf) = 88 NM
- SAE C rear mounting adaptor : 2 screws M16 x 1,57 (40,0) (Mounting torque = 1902 in.lbf) = 190 NM

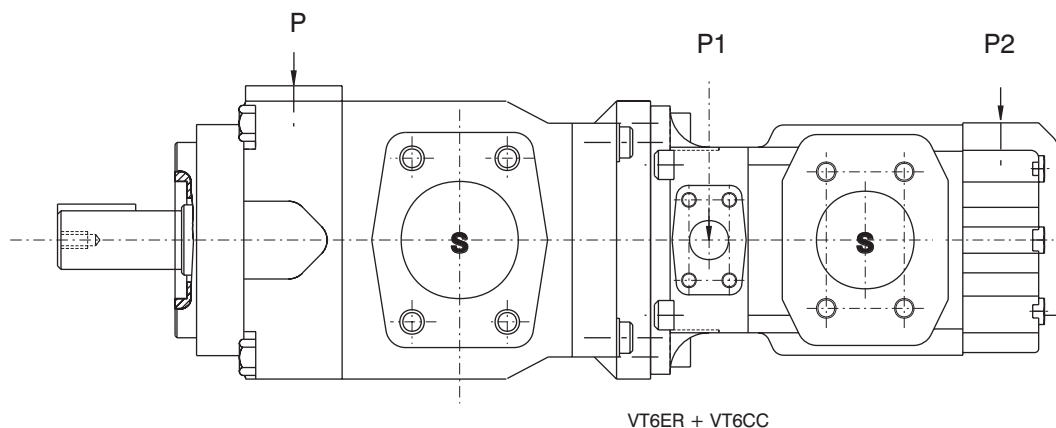
Adaptor & Coupling Selection

Rear P ump		Drive Train Vane Pump			
		VT6*R (Single vane pump)		VT6***R (Triple vane pump)	
Series	Shaft	Coupling	Adaptor	Coupling	Adaptor
VT6C*	3	2	B	Not Available	
VT6CR*				Not Available	
VT6CSH	4	3	B	Not Available	
VT6CC*	3	3	B	Not Available	
	5	2	B	Not Available	
VT6D*	3	4	C	Not Available	
VT6DR*				Not Available	
VT6DC*				Not Available	
VT6DCC*				Not Available	
VT6E*	3	4	C	Not Available	
VT6ER*				Not Available	
VT6EC*				Not Available	
VT6ED*				Not Available	
VT6B	4	1	A	Available with special coupling	
	3	5	A	Available with special coupling	
VT7B	3	2	B	Not Available	
VT6HC	4	3	B	Not Available	
VPV6	1	2	A	Available with special coupling	
VPV10	1	2	B	Not Available	
VPV15	1	4	C	Not Available	
VPV20				Not Available	
VPV29				Not Available	



For additional information on piston pumps and specific information on Gear Pumps, Please contact Veljan representative.

Example



1. Define front pump
VT6ER - *** - 1 R 02 - B21 - A1
2. Define rear pump
VT6CC - *** - *** - 5 R 01 - C1 - 00
3. Define mounting
Assembly tandem VVV 03